



MALE THREADED COMPACT BALL VALVE

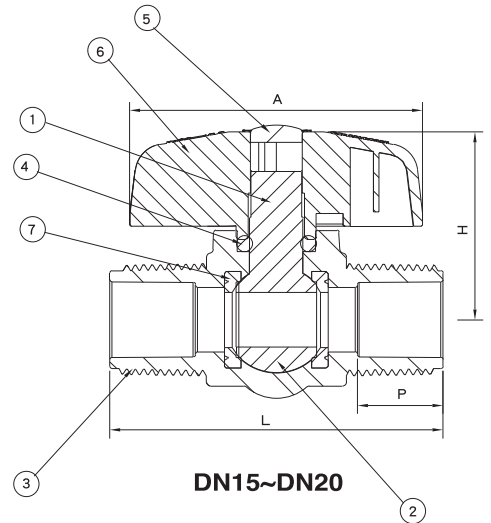


CM Series

CM200
Size: 1/2", 3/4"

MATERIALS OF CONSTRUCTION

No.	Parts	Pcs	Materials	No.	Parts	Pcs	Materials
1	STEM	1	UPVC	5	CAP	1	ABS
2	BALL	1	UPVC	6	HANDLE	1	ABS
3	BODY	1	UPVC	7	SEAT	2	EPDM,PTFE
4	STEM O' ring	1	EPDM				



DIMENSIONS TABLE

Standards Nom. size DN-inch	JIS					ANSI					DIN						
	Unit: mm					Unit: inch					Unit: mm						
	d Thread	P	L	H	A	d Thread	P	L	H	A	d Thread	P	L	H	A	Test Press (Kg/cm ²) (bar)	Working Press (kgf/cm ²) (bar)
15(1/2")	PT1/2	-	-	47	70	NPT 1/2	0.875	3.110	1.850	2.756	R1/2	16.0	79	47	70	15	10
20(3/4")	PT3/4	-	-	57	77	NPT 3/4	1.000	3.543	2.244	3.031	R3/4	18.5	90	57	77	15	10